

GalvinSafe[®] Foot Treadle to Suit 190.80.10.12 and 190.82.11.12 Floor Mtd Units (HAWS)

PRODUCT CODE:

Galvin Engineering: 190.91.22.12

HAWS: SP220SS

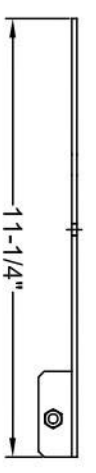
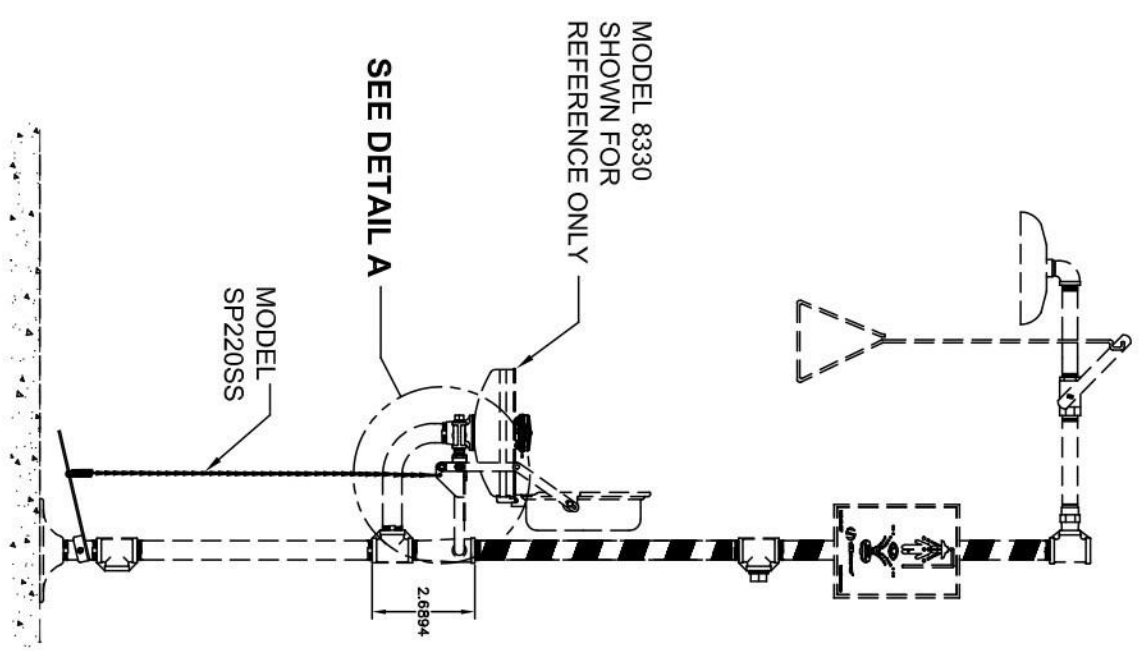
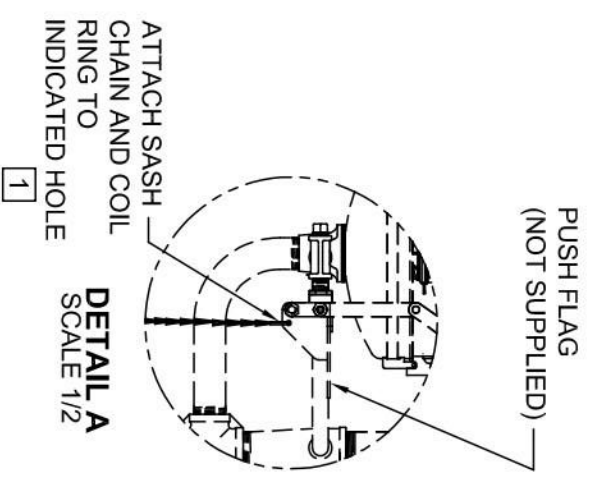
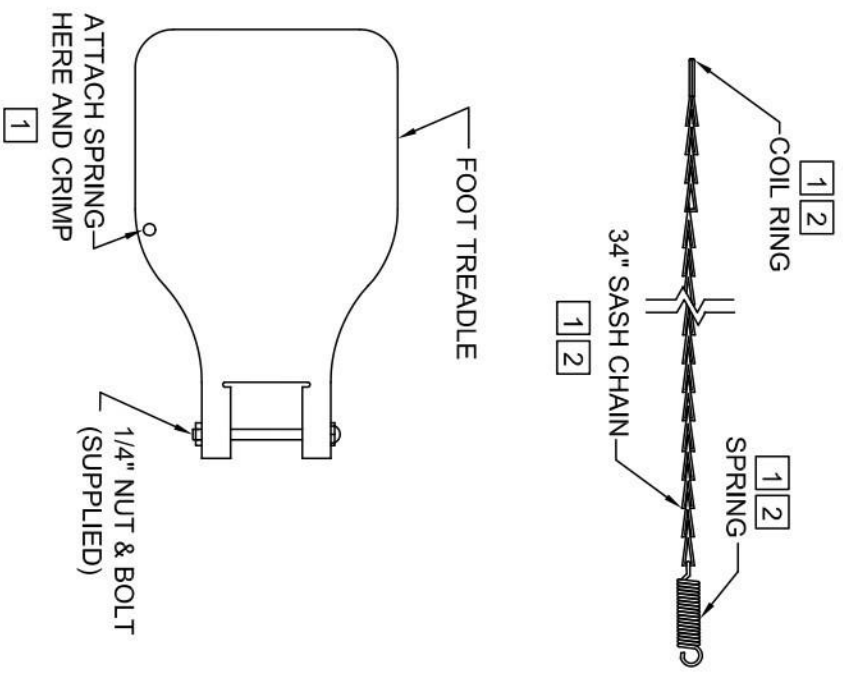


INSTALLATION

Refer to installation drawing for installation procedure.

NOTES:

- 1 HOOK SPRING THROUGH ROUND OPENING OF TREADLE FROM TOP AND CRIMP SECURING IT TO THE TREADLE. AFTER ASSEMBLING FOOT TREADLE TO EYEWASH PEDESTAL, ATTACH COIL RING TO EXISTING PUSH FLAG THEN TRIM SASH CHAIN TO NECESSARY LENGTH IN ORDER TO PROVIDE NORMAL OPERATION OF EYEWASH.
- 2 CRIMP END OF SPRING TO SASH CHAIN.



DISTRIBUTED BY:
GalvinEngineering
the mark of reliability
 410 VICTORIA RD MALAGA WA
 A/N: 75 008 719 882
 -61 8 9388 2344 FAX -61 8 93882340
 EMAIL: sales@galvinengineering.com.au
 WEBSITE: www.galvinengineering.com.au

EGN NO. REVISED PER BR:	MODEL(S)	190.91.22.12	PART NUMBER
DRAWN: J. MAY	DATE: 02/07/00	GalvinSafe Foot Treadle to Suit 190.80.10.12 and 190.82.11.12 Floor Mtd Units (HAWS)	0002080393
APPROVED:	DATE:	SCALE: 1:5	DRAWING TYPE: INSTALLATION
		SIZE: A	SHEET: 1 OF 1

WARRANTY

The warranty set forth herein is given expressly and is the only warranty given by the Galvin Engineering Pty Ltd. With respect to the product, Galvin Engineering Pty Ltd makes no other warranties, express or implied. Galvin Engineering Pty. Ltd. hereby specifically disclaims all other warranties, express or implied, including but not limited to the implied warranties of merchantability and fitness for a particular purpose.

Galvin Engineering Pty Ltd products are covered under our manufacturer’s warranty available for download from www.galvinengineering.com.au Galvin Engineering Pty Ltd expressly warrants that the product is free from operational defects in workmanship and materials for the warranty period as shown on the schedule in the manufacturer’s warranty. During the warranty period, Galvin Engineering will replace or repair any defective products manufactured by Galvin Engineering without charge, so long as the terms of the Manufacturer’s warranty are complied with.

The remedy described in the first paragraph of this warranty shall constitute the sole and exclusive remedy for breach of warranty, and Galvin Engineering Pty Ltd shall not be responsible for any incidental, special or consequential damages, including without limitation, lost profits or the cost of repairing or replacing other property which is damaged if this product does not work properly, other costs resulting from labour charges, delays, vandalism, negligence, fouling caused by foreign material, damage from adverse water conditions, chemical, electrical or any other circumstances over which Galvin Engineering has no control. This warranty shall be invalidated by any abuse, misuse, misapplication, improper installation or improper maintenance or alteration of the product.